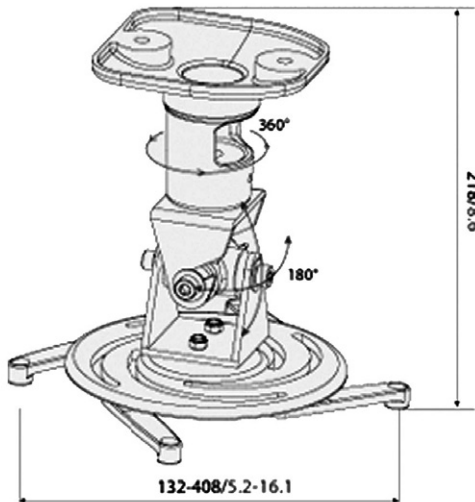


Installation & Assembly: Universal Projector Mount

Model Number:
AVM-PRO-UNV101



IMPORTANT! Read instruction sheet before you start installation and assembly.
Before you start make sure all parts listed are included with your product.



Parts List

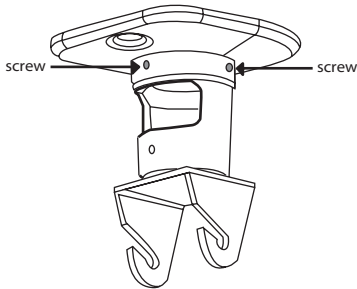
Part #	Parts Description	Qty.	Part Image
A	M5x45 Drywall Screw	2	
B	Plastic Anchor	2	
C	M6.5 Washer	2	
D	M4x16 screw	4	
E	M4x40 screw	4	
F	M6x16 screw	4	
G	M6x40 screw	4	
H	M5x16 arm screw	4	
I	M5 washer	4	
J	S=3mm Allen wrench	1	
K	S=6mm Allen wrench	1	
L	M5 washer	4	

Part #	Parts Description	Qty.	Part Image
M	Arm	4	
N	Universal Spider	1	
O	Mount plate	1	
P	Middle Piece	1	

Installation Instructions

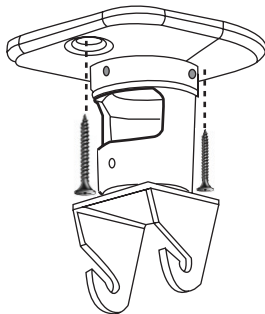
Step 1

Put the middle piece (P) into the mount plate (O), and tighten the safety screws using the allen wrench provided (J).



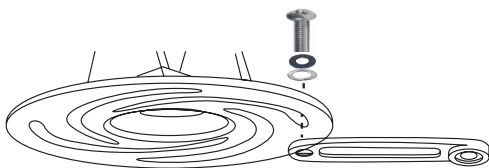
Step 2

Attach the mount plate (O) to the ceiling using the dry-wall screws (A). Be sure to screw directly into a ceiling joist so that the mount can support the weight of your projector.



Step 3

Attach the three or four arms (M) to the universal spider (N) using the screws (H) and washers (I) & (L). Do not completely tighten the screws yet.

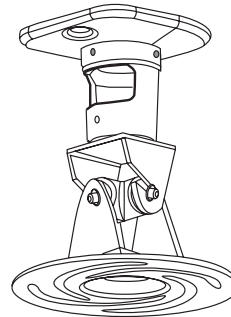


Step 4

Attach your projector to the arms (M). Several different screw sizes have been provided with your mount. If none of them fit, check with the manufacturer for the proper size. Once finished, make sure all screws from step 3 are tightened.

Step 5

Carefully hook the universal spider (N) with your projector attached to the ceiling. Installation is now complete.



Adjustment

You can change the tilt of your mount by carefully moving it to the desired position. You may need to tighten the two tilt adjustment screws to hold the projector in place.

To change the facing of your projector, first loosen the two swivel screws using the allen wrench. Turn the projector to the desired facing and retighten the screws.

DO NOT CONTINUALLY TURN THE PROJECTOR IN A COUNTER-CLOCKWISE DIRECTION! This can cause the mount to come apart and may cause injury or damage.

